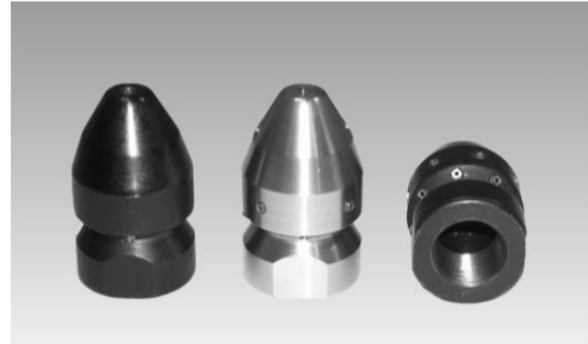
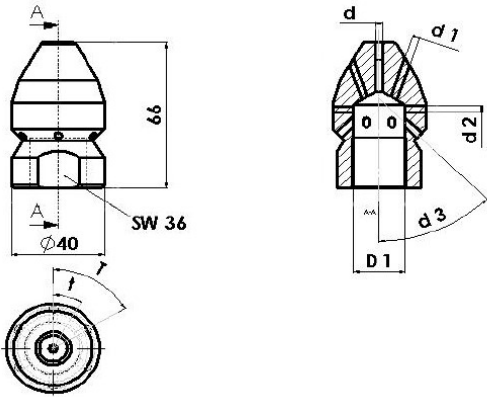


Pipe Cleaning Nozzle - 15,000 PSI (1000 bar)

Rigid, outer $\varnothing < 1.6''$ (40 mm)

Z46-3e



Order example:

Pipe Cleaning Nozzle with nozzle insert M4 (steel) and jet angle according table chart = **7014305 / 185.2.09**

Part No.	Order No.	D in (mm)	Nozzle Inserts	Connection thread D1 female	d VS	d 1 30°	d 2 90°	d 3 45°	min.-max. pipe inner \varnothing in (mm)
7014304	1851.2.09	1.57 (40)	M4	M 24 x 1.5	1 x	---	---	4 x 45°	1.97 (50) - 7.87 (200)
7013675	1852.2.09	1.57 (40)	M4	M 24 x 1.5	1 x	---	---	6 x 45°	
7013544	1853.2.09	1.57 (40)	M4	M 24 x 1.5	1 x	---	---	8 x 45°	
7013545	1854.2.09	1.57 (40)	M4	M 24 x 1.5	1 x	---	---	10 x 45°	
7013547	1855.2.09	1.57 (40)	M4	M 24 x 1.5	1 x	---	3 x 90°	3 x 45°	
7014305	1856.2.09	1.57 (40)	M4	M 24 x 1.5	1 x	---	4 x 90°	4 x 45°	
7013546	1857.2.09	1.57 (40)	M4	M 24 x 1.5	1 x	---	5 x 90°	5 x 45°	
7013540	1858.2.09	1.57 (40)	M4	M 24 x 1.5	1 x	4 x 30°	---	4 x 45°	
7014075	1859.2.09	1.57 (40)	M4	M 24 x 1.5	1 x	5 x 30°	---	5 x 45°	
7013543	1860.2.09	1.57 (40)	M4	M 24 x 1.5	1 x	2 x 30°	2 x 90°	2 x 45°	
7019129	1861.2.09	1.57 (40)	M4	M 24 x 1.5	1 x	2 x 30°	4 x 90°	4 x 45°	

Adapter M 24 x 1.5 (Double nipple)

Part No.	Double nipple male	1.side for nozzle	2.side for hose
1051632	M 24 x 1.5	with nose	DKO 24"



WARNING: This product might contain a chemical known to the State of California to cause cancer, and birth defects or other reproductive harm. For more information go to www.P65Warnings.ca.gov